



**10/100Base-Tx to 100Base-FX With Lightning-protection
Industrial Fiber Media Converter**

OP-EC1x71xxx-xx-xx-I



Shenzhen Optostar Optoelectronics Co., Ltd

2015. 11(Version 1)

Item	Industrial Media Converter
Model No.	OP-EC1x71xxx-xx-xx-I
Description	1*10/100Base-TX to 1*100Base-FX With Lightning-protection function
	

Overview

OP-EC1x71xxx-xx-xx-I industrial media converter is specially designed for industrial application, which provides fast and stable media conversion between 10/100BaseTX and 100BaseFX. It also meets the requirements of long distance, high speed, and wide broadcast.

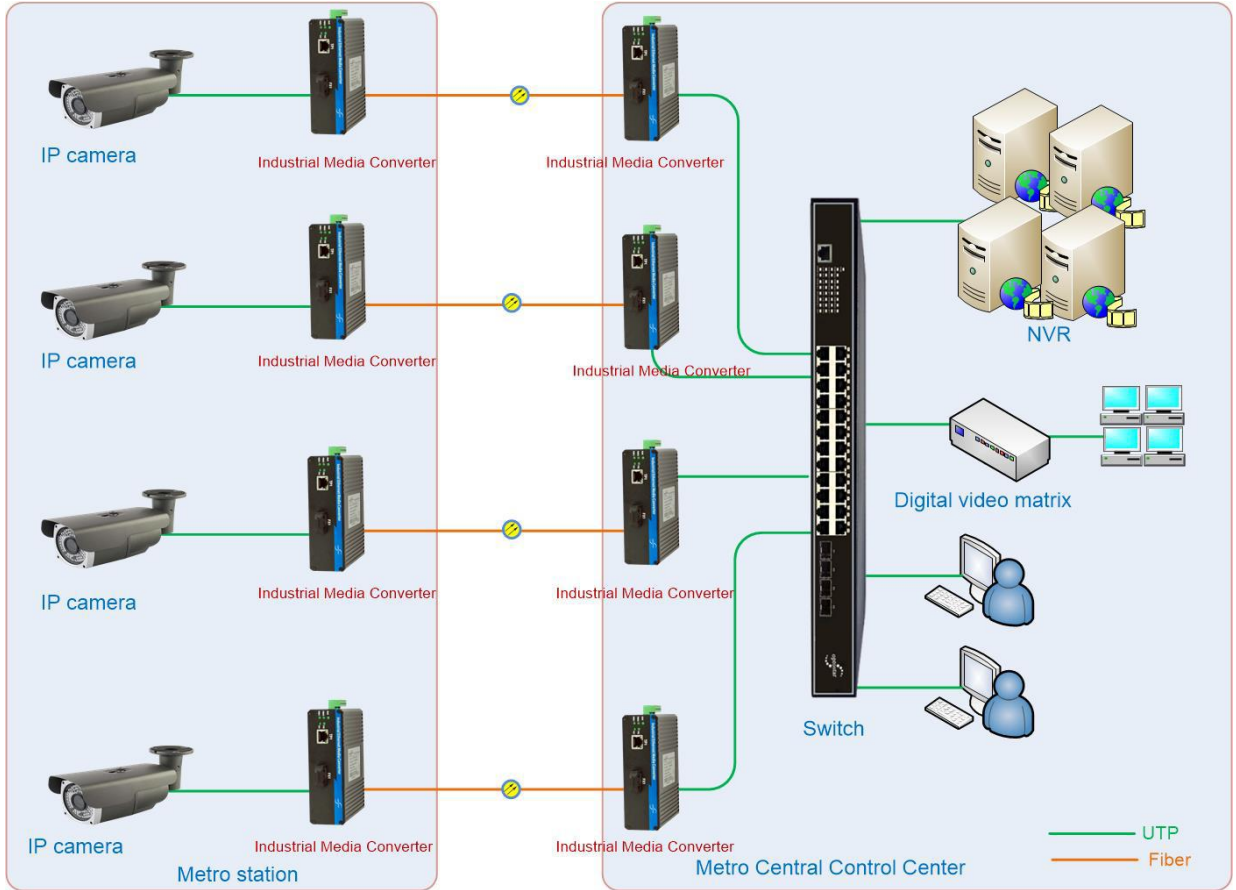
With wide range operation temperature, alloy aluminum shell and other excellent industrial-grade design against vibration and shock, it could keep your industrial automation applications running continuously in different harsh environments.

Features

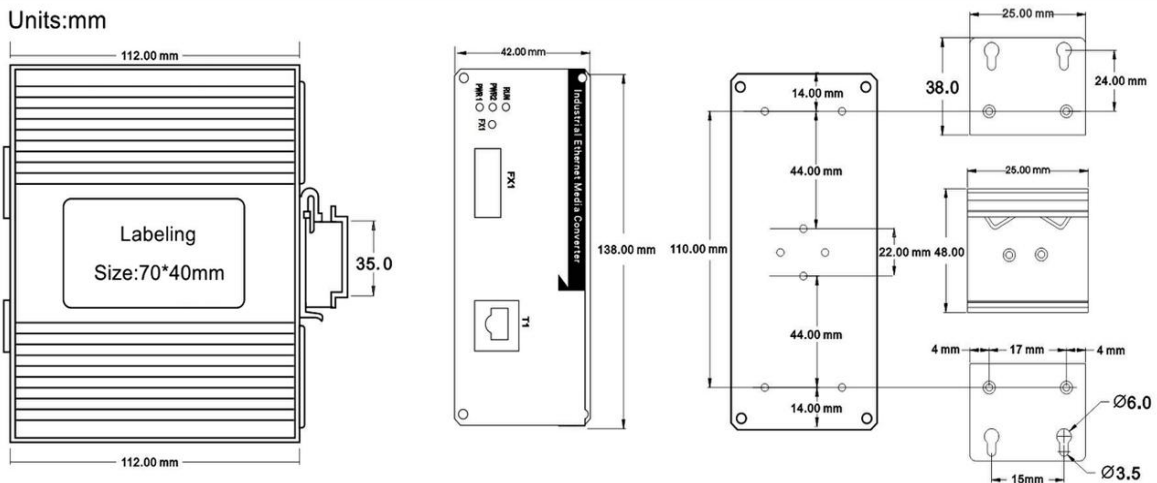
- 1 10/100Base-TX port and 1 100Base-FX port
- 10/100M auto-negotiation , Full/Half duplex mode, auto-MDI-MDI-X
- Super lightning protection, IP40 protection
- Excellent heat elimination without cooling fan
- Redundant dual DC power inputs
- -40°C-85°C operating temperature range

Application

1. Network Communication
2. FTTH / FTTB / FTTx
3. ISP Backhaul Networking

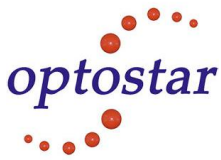


Mechanical Dimensions



Technical Indexes

Standard	<p>IEEE802.3u, 100Base-FX IEEE802.3, IEEE802.3u, 10/100Base-TX Safety: UL 60950-1 Shock: IEC 60068-2-27 Free Fall: IEC 60068-2-32 Vibration: IEC 60068-2-6 EMI: FCC Part 15 Subpart B Class A, EN 55022 Class A Industry: IEC61000-6-2 Rail: EN50155, EN50121-4 Traffic: NEMA TS-2</p>
EMS	<p>EN61000-4-2 (ESD), Level 3 EN61000-4-3 (RS), Level 3 EN61000-4-4 (EFT), Level 3 EN61000-4-5 (Surge), Level 3 EN61000-4-6 (CS), Level 3</p>
Copper Port	<p>10/100Base-TX auto negotiation speed Full/Half duplex mode Auto MDI-MDI-X connection Up to 100M Cat-5 transmission distance</p>
Fiber Port	<p>Rate: 100Mbps Wavelength: 1310nm/1550nm Up to 2Km transmission distance with multi-mode Up to 20km,40km,60km,80km transmission distance with single-mode SC/ST/FC interfaces optional</p>
Switch Properties	<p>MAC Table Size: 2K Packet Buffer Size: 1Mbit Processing Type: Store and Forward Exchange Properties: 148800pps (100M)</p>
Power	<p>Input Voltage: 24V DC(18-36VDC), Redundant dual inputs Input Current: <0.5A @24VDC Overload Current Protection: Present Reverse Polarity Protection: Present Redundant Protection: Present Connection: 1 removable 6-pin terminal blocks</p>
Environmental Limits	<p>Operating Temperature: -40°C-85°C Storage Temperature: -40°C-85°C Ambient Relative Humidity: 5%-95% (non-condensing)</p>
Warranty	<p>5 years</p>
Physical Characteristics	<p>Housing: Aluminum Alloy material with IP40 Protection Dimension: 138mm(L) X 112mm(W) X 42mm(H) Weight: 480g Installation: Din-Rail mounting, Wall mounting</p>



Order Information

Model No.	Data Rate	Fiber Mode	Wavelength	Fiber Connector	Distance	Power Supply
OP-EC1M712x1-11-2-I	10/100M	MMF	1310nm	SC/ST/FC	2km	Internal.DC24
OP-EC1S712x1-11-20-I	10/100M	SMF	1310nm	SC/ST/FC	20km	Internal.DC24
OP-EC1S713x1-11-20-I	10/100M	SMF	1550nm	SC/ST/FC	20km	Internal.DC24
OP-EC1S712x1-11-40-I	10/100M	SMF	1310nm	SC/ST/FC	40km	Internal.DC24
OP-EC1S713x1-11-40-I	10/100M	SMF	1550nm	SC/ST/FC	40km	Internal.DC24
OP-EC1S712x1-11-60-I	10/100M	SMF	1310nm	SC/ST/FC	60km	Internal.DC24
OP-EC1S713x1-11-60-I	10/100M	SMF	1550nm	SC/ST/FC	60km	Internal.DC24
OP-EC1S712x1-11-80-I	10/100M	SMF	1310nm	SC/ST/FC	80km	Internal.DC24
OP-EC1S713x1-11-80-I	10/100M	SMF	1550nm	SC/ST/FC	80km	Internal.DC24
OP-EC1M715x1-11-2-I	10/100M	MM Bi-di	TX1310/RX1550nm	SC/ST/FC	2km	Internal.DC24
OP-EC1M717x1-11-2-I	10/100M	MM Bi-di	TX1550/RX1310nm	SC/ST/FC	2km	Internal.DC24
OP-EC1S715x1-11-20-I	10/100M	SMF Bi-di	TX1310/RX1550nm	SC/ST/FC	20km	Internal.DC24
OP-EC1S717x1-11-20-I	10/100M	SMF Bi-di	TX1550/RX1310nm	SC/ST/FC	20km	Internal.DC24
OP-EC1S715x1-11-40-I	10/100M	SMF Bi-di	TX1310/RX1550nm	SC/ST/FC	40km	Internal.DC24
OP-EC1S717x1-11-40-I	10/100M	SMF Bi-di	TX1550/RX1310nm	SC/ST/FC	40km	Internal.DC24
OP-EC1S715x1-11-60-I	10/100M	SMF Bi-di	TX1310/RX1550nm	SC/ST/FC	60km	Internal.DC24
OP-EC1S717x1-11-60-I	10/100M	SMF Bi-di	TX1550/RX1310nm	SC/ST/FC	60km	Internal.DC24
OP-EC1S715x1-11-80-I	10/100M	SMF Bi-di	TX1310/RX1550nm	SC/ST/FC	80km	Internal.DC24
OP-EC1S717x1-11-80-I	10/100M	SMF Bi-di	TX1550/RX1310nm	SC/ST/FC	80km	Internal.DC24
Note: Fiber Connector is SC,x=1 Fiber Connector is ST,x=2 Fiber Connector is FC,x=3						

Contact OPTOSTAR

Shenzhen Optostar Optoelectronics Co., Ltd

Address:A-14,Haide Building,the Intersection of Nanxin Road and Haide Second Road Nanshan District Shenzhen,China .

Tel: +86-755-26400198 +86-755-26400288 Fax: +86-755-26411001

Email: info@optostar.com.cn



Skype:ouyangroya

Web: www.optostar.com.cn